

sitty

SITTY provides comfortable repose even in places where this would not otherwise be practicable

There is always enough space for SITTY.



Due to ever-stronger environmental awareness, and with the aim of reviving city centres and providing a high quality living environment, cities across the globe are steadily extending their pedestrian districts and banning traffic from the city centres. Accordingly, the need arises for new solutions for infrastructure in urban centres to support socialising, mingling and rest on the ever-longer journeys undertaken by foot today. As regards space utilisation, SITTY is an optimal solution for these challenges in urban centres. SITTY is a foldable seat, set into a seating position by a simple movement. After use, the seat automatically returns to the vertical and opens up the surrounding area. In designing the SITTY line, we complied with the highest technological, design and safety standards. In addition to ergonomics, protection against vandalism and modern design, our attention was also focussed on the ease of the user's recognition of the function of the furniture.

The most rational solution for seating in public areas

Increased traffic flow capacity

Pleasing, perfectly designed and technologically advanced urban furniture

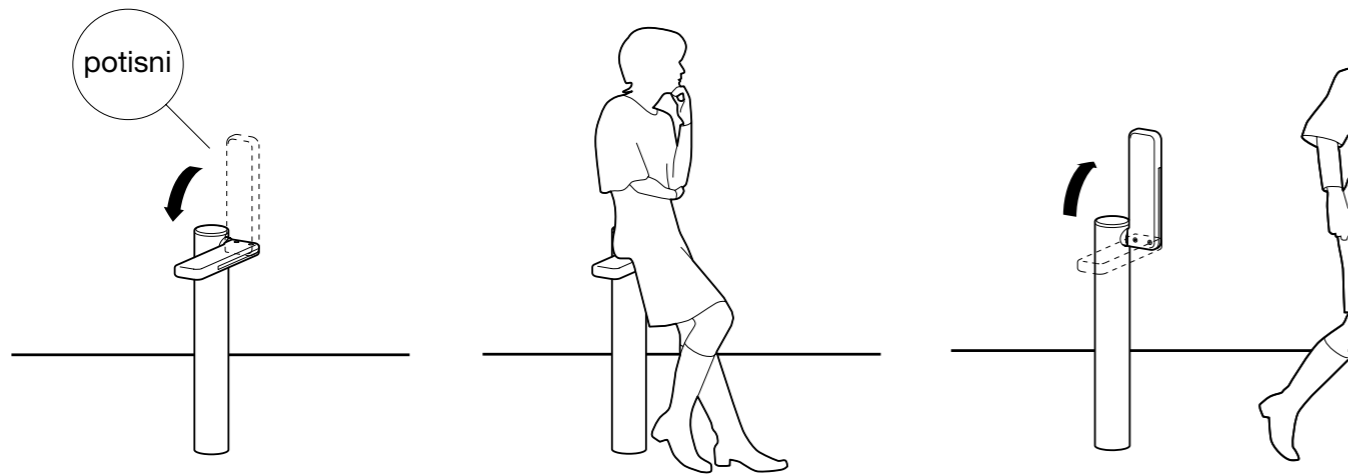
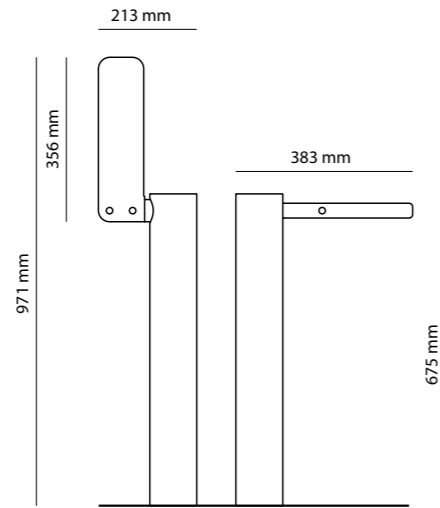
The rational utilisation of public space footprint areas

design studio gigodesign



SITTY

There is always enough space for SITTY.



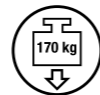
The seat retracts itself independently into the upward position in approx. 20 seconds.



After rain, the seat dries quickly. Dirt drains off and doesn't stay on the seat, ensuring a cleaner seating surface.



The mechanism has been tested for 100,000 folds. No additional lubrication is needed.



170 kg carrying capacity.



Anti-corrosion protection.

